

PURCHASE REQUEST (PR)

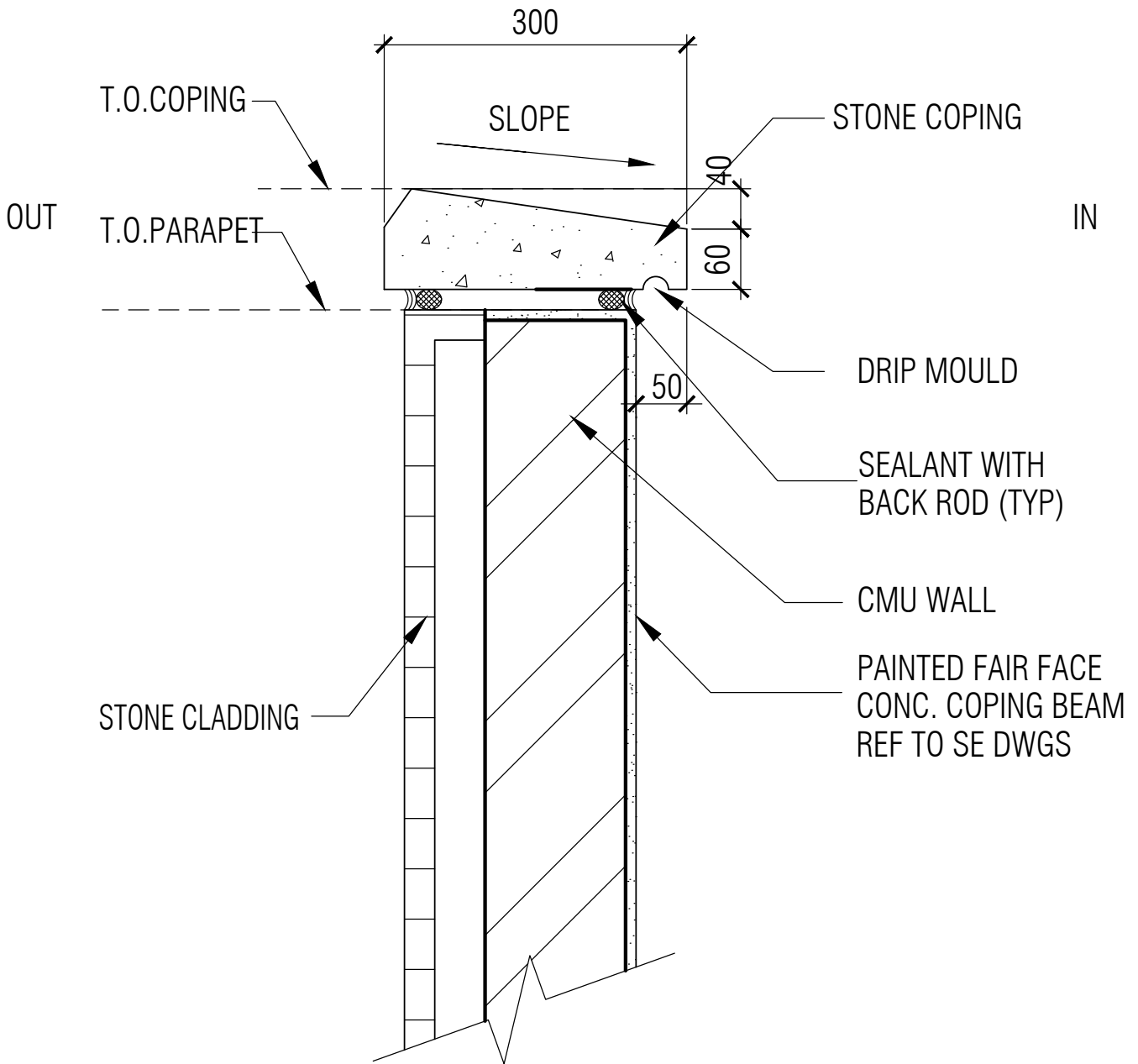
Purchase Request No : CE-194

Project Title : _____	Purchase Request Date:	12-Jan-21
Contract Number : _____	Attachment (If Any):	IFC drawing
Project Location : Ras Al Khair	Work Discipline:	Architectural
Needed Date : ASAP 31 JAN 021	Area of Works:	Admin Bldg., Service 'A', Service 'B', Guard House & Guard Rooms

S. NO.	Contract BOQ No.	PURCHASE REQUEST DESCRIPTION	BRAND/ MFG.	UNIT	Quantity	Remarks
		Stone Coping				
1	3-09.01.01b,3-09.01.02b,4-09.01.01b,4-09.01.02b,5-	300 mm width x 600 mm length x 100 mm height, coping	Need to find Supplier and provide sample	lm	419.32	
2	09.01.01b,5-09.01.02b	570 mm width x 600 mm length x 100 mm height, coping		lm	33.5	

Review by: Eng. Ahsan Sheikh 	Approved By Eng. Qussay 	Received by: Mr. Rajeev
---	--	-----------------------------------

Note:



* NOTE:
 STONE COPING COLOR MUST MATCH
 WITH PARAPET COLOR